



# Submittal Data Information

## AP-30C Frame Kits

#SS-3.4-4

Effective: Mar 1st, 2012

Job: \_\_\_\_\_ Engineer: \_\_\_\_\_ Contractor: \_\_\_\_\_ Rep: \_\_\_\_\_

### Part Codes

Choice of two angles:

30° Lift - FR-AP-30C-HIGH-30

45° Lift - FR-AP-30C-HIGH-45

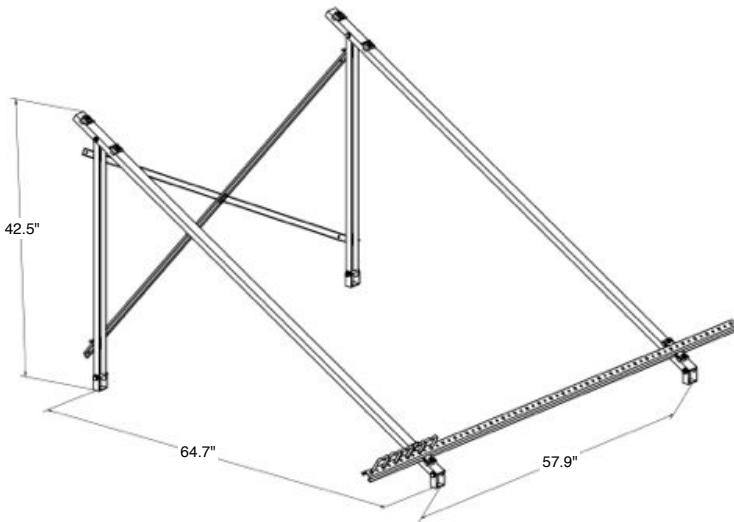
### Applications

The AP-30C is designed for use when the mounting surface is at an angle less than the ideal angle such as a flat roof. The frame kits are available in two sizes and attach to the standard frame of the AP-30C. The AP-30C Frame also meets the requirements of the Buy American Act and the ARRA.

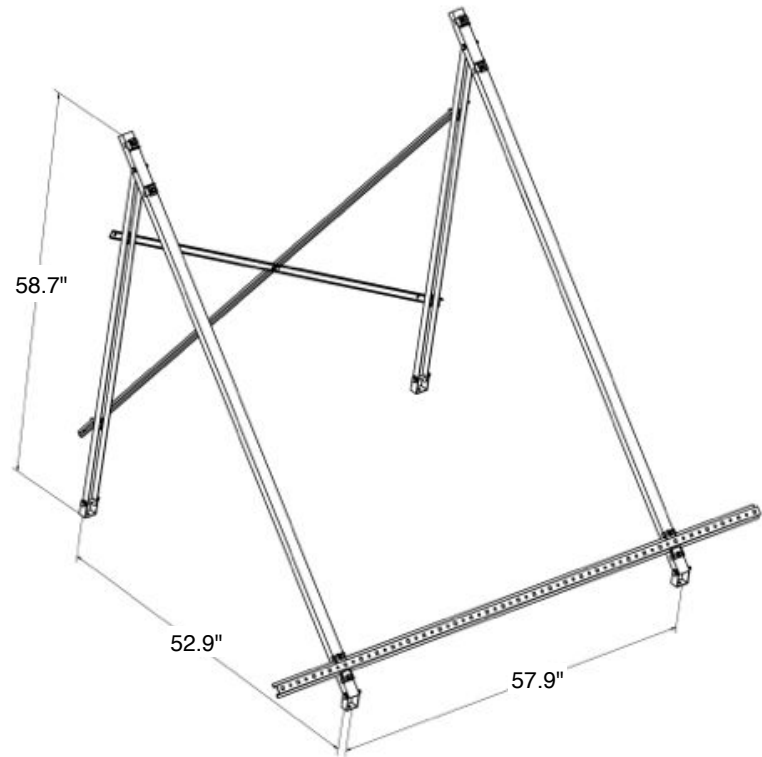
### Materials of Construction

Frame: 304 Stainless Steel  
Nuts: 304 Stainless Steel  
Bolts: 304 Stainless Steel

### FR-30C-HIGH-30 Dimensions (30° Angle):



### FR-30C-HIGH-45 Dimensions (45° Angle):



Note: The images above show the AP-30C standard frame which is included with the manifold kits. Installation angle must not exceed 45° in areas with wind speeds above 130 mph.

**Sustainable HOT WATER Solutions, Delivered by APRICUS**

6 Sycamore Way, Branford, Connecticut 06405 USA Ph: 203-488-8215 Fax: 203-488-8572  
office-usa@apricus.com www.apricus.com